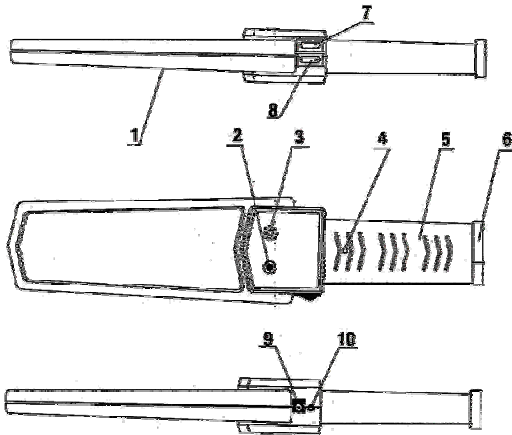


Hand-held high and low sensitivity optional metal detector

MD-3003B1

1. Map



- 1、 Detection
- 2、 LED(Green/Red Color)
- 3、 Audio Alert
- 4、 Sensitivity Adjuster(Took off the holster)
- 5、 Handle
- 6、 Battery Door)
- 7、 Low Sensitivity Switch
- 8、 Power On/Off switch
- 9、 Rechargeable Battery Socket
- 10、 Sound or Vibration switch

2. Function

- 1) As electronic device examined in airport, station and boatyard.
- 2) The security check of custom, police, immigration and guard departments.
- 3) As quality check in the system of commercial of medicine and food.
- 4) The security check of important site and sport field.
- 5) Precious metals check, such as gold and silver factory

3. Distance of detection

- 1) pin 10mm
- 2) 6 inch spanner 120mm
- 3) ϕ 20mm steel bal 70mm

4. Feature

- 1) High sensitivity
- 2) It is easy and convenient to use, need not to adjust
- 3) The two warning ways are sound and vibration for you choose.
- 4) Have the automatic continuous sound or vibration alert when the battery used up.
- 5) The alert functions of turn on, turn off sound or the vibration.
- 6) The two choices of high or low sensitivity
- 7) External charging jack.

5. Replace the battery installed

- 1) With the thumb back in the groove and can be opened the battery back lid.
- 2) The 6F22 (9V) batteries into the battery box, the default installation of non-rechargeable batteries (particularly configurations except for rechargeable batteries)
- 3) Cover the battery lid to push forward in tight

6. Application Method

- 1) Turn on the switch(8), hear the "da" sound, 3-5 seconds, express power has been switched, self-test time is completed, you can normally use, while green light . If green light does not shine that is not installed battery or the battery connection is bad, such as continuous non-stop or continuous sound vibration or No sounds, that the battery can not be reused, the battery should be new ones.
- 2) Sound, vibration switch options: press the red button switch (10), alarm way for vibration. Release the red button switch (10), alarm sound manner.
- 3) After power turned on, you can high-sensitivity testing, grip the handle will be detected in the measured object surface around the probe sweep, there is metal that is when the alarm sounds or vibrations, while the green light into red light; stop geochemical and alarm sounds or vibration that stops, the red light into green light.
- 4) Low sensitivity test: If you need to exclude the very small metal objects, you can hold down the low sensitivity switch (7). Right to conduct exploration sweep around the measured object, there is metal that is when the alarm sound or vibration, while the green light into red light; stop geochemical, alarm sound or vibration that stops, the red light into green light. By this time reduced by 5 times more sensitivity, so when measured in general are relatively large metal objects.

7. Sensitivity Adjustment

- 1) Such as the detection range do not meet requirements or extent caused by instability or excessive sensitivity of the human body also issued non-metal geochemical sound or vibration, the sensitivity should be adjusted.
- 2) The sound, vibration switch (10) on the "release" status, a small word with a screwdriver from the hole on the probe inserted into the handle to the counter-clockwise rotation, transferred to voice, and then clockwise rotation is not transferred to sound and then a half circle counterclockwise rotation, to meet the requirements of sensitivity so far.

8. Notes

- 1) Do not forget the power off after use.
- 2) Remove the batteries do not have to be a long-term.
- 3) Fixed front of the probe metal objects without sound or vibration, but in the sweep when the metal sound or vibration.
- 4) Charging, please turn off the power switch (8).
- 5) Charger voltage: DC 10V (with chargers).