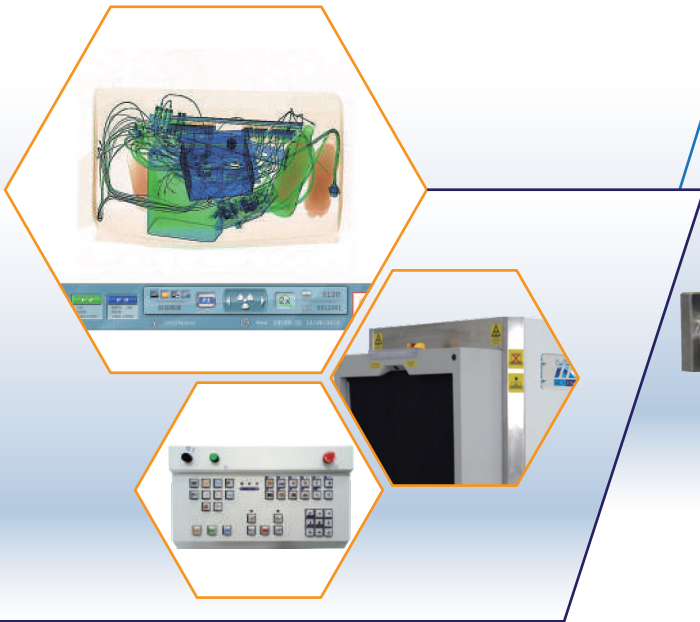




IIDX-VM6040

Multi-Energy X-Ray Security Inspection Equipment



Product Instruction

IIDX-VM6040 is a practical x-ray security equipment which has been widely applied for public security organs and its medium tunnel design is specially for scanning parcels, backpacks, hand luggage, cabin baggage and so on.

IIDX-VM6040 has high mobility (and could be easily move to any locations which need the security inspection) through rolling casters.

IIDX-VM6040 is an ideal model for baggage scanning because of its reasonable design and various image-processing functions.

Technology Features

- ◆ Shiny clear images
- ◆ Sophisticated design with multi-functions operator interface
- ◆ High- resolution
- ◆ Can increase the conveyor speed to 0.3m/s(Customized)
- ◆ Collection the high-speed parallel of detection data
- ◆ With network interface to achieve total network management
- ◆ Support JPG & BMP image transformation format to USB

Applications

- ◆ Public Security Organs
- ◆ Exhibition Halls
- ◆ Tourist Attractions
- ◆ Conference Center
- ◆ Museums



www.iid2secure.nl
Extra Benefits, Less Price
Finestrat,19, 03530 La Nucia, Alicante, Spain
© IID Secure Tech S.L.U. 2019

Heemtedestraat 16 Amsterdam, Netherlands
Support@iid2secure.nl
+31614762425
Data Subject to change without notice



General Specification

- Tunnel size.....624 mm (W) x 425 mm (H)
- Conveyor Speed..... 0.2 m/s
- Conveyor Height..... 678 mm
- Max. Load..... 160 kg (Evenly distributed)
- Resolution.....Typical: AWG 40 Standard: AWG 38
- Penetration(Steel).....Typical: 34 mm Standard: 30 mm
- Spatial Resolution.....Horizontal: Φ1.0 mm Vertical: Φ1.0 mm
- Image Resolution..... 19"LED (Single Display)

Image Processing System

- Display.....Black / White, Color
- Processing Function..... F1/F2/F3 self-definition combination, edge enhancement, negative, partial enhancement, gray scale scan.
- Saves Capacity & Pull back..... 100,000 images / infinite review (the previous pictures)
- Resolution..... 1440 x 900
- Processing & Gray Scale.....24Bit real-time processing/65536
- Enlargement..... Up to 64X dynamic continuous zoom & panning

X-Ray Generator

- Anode Voltage..... 160 KV (adjustable)
- Beam Direction..... From bottom
- Cooling & Running Cycle..... Sealed oil cooling & 100%
- X-Ray Sensor..... Multi-energy L photoelectric diode array detector

IPC Configuration

- Standard Function.....Win7; RAM: 2GB; Hard Disk: 500G.
- Optional Function.....RAM: 4G、8G、16G;
Hard Disk: 1T、2T;
Video Card: 2G、4G、8G;

X-Ray Security

- Leakage..... < 1μGy/h (5cm distance from outer), According to the national and international Safety standard
- Film Safety..... According to the ISO1600 (33DIN) High speed standard

System Function

- Alarm Function
- Browse
- Fault Self-diagnosis and Maintenance Functions
- Image Navigation
- Limits of Authority Management for Operator
- System Working Timing
- TIP
- User Management
- Urgent Stop
- Working Status Display
- Extend Protective Cover and Double-layer Lead Curtain In Entry and Exit
- Bi-directional Scanning
- Date & Time Display
- High Density Alarm
- Image Magnification Display
- Luggage Counting
- Network Interface
- One-key Shutdown
- Self-check Power-on
- Save and Retrieval
- Save As
- Ultra-thin Scanning
- X-Ray Emission Timing
- X-Autosight
- Image Split Joint

Optional Function

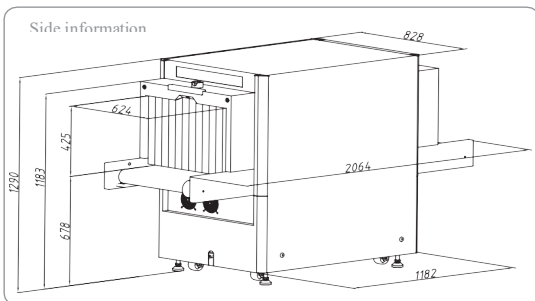
- Double Display
- Video System
- Voltage Stabilizer
- 0.6m Entry Flatbed Roller Tables, 1.2m Exit Skateboard
- Energy Saving
- OTP The Operator Training Program
- UPS Uninterruptible Power Supply

Video System

- Using the professional video equipment, it can combine x-ray image, specific package and its owner into one system, to help operators review and analysis after crisis. With this extended function, the operators can quickly target the potential suspects. This system is not only user friendly but also has the remarkable effects which win the warm praise from the public security police officers.

Installation Data

- Size.....2064 mm (L) x 828 mm (W) x 1290 mm (H)
- Weight..... 600 KG
- Working Temperature/ Humidity..... 0°C~+ 45°C / 10%~95% (non-condensing)
- Storage Temperature/ Humidity..... - 40°C~+60°C / 10%~95% (non-condensing)
- Power Supply..... AC 220 V(+10%~-15%) 50±3 (Hz)
- Power consumption..... About 0.42 (KVA)



www.iid2secure.nl
 Extra Benefits, Less Price
 Finestrat,19, 03530 La Nucia, Alicante, Spain
 © IID Secure Tech S.L.U. 2019

Heemtedestraat 16 Amsterdam, Netherlands
 Support@iid2secure.nl
 +31614762425
 Data Subject to change without notice